



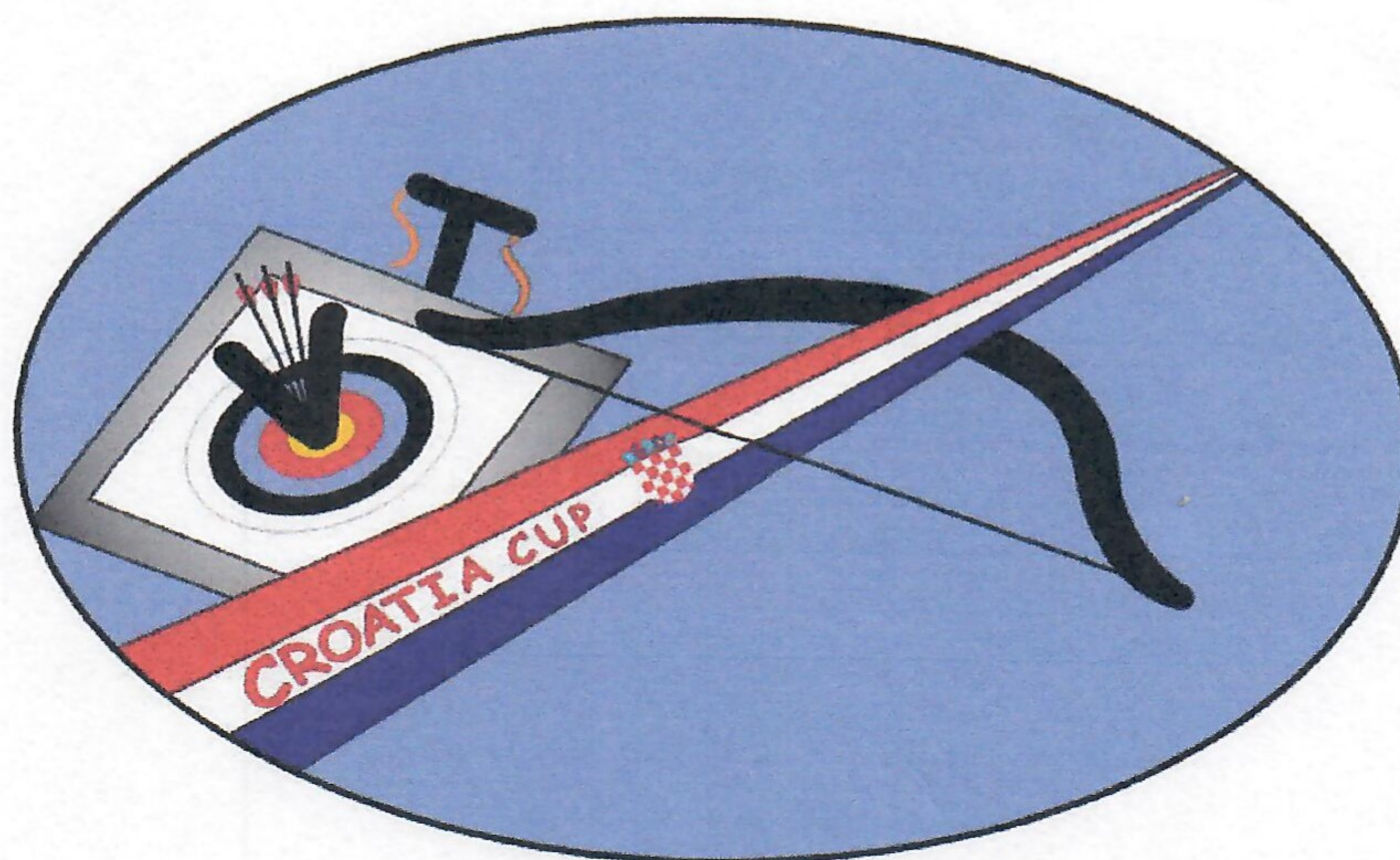
STRELJAČKO DRUŠTVO  
VELIKO TRGOVIŠĆE



## 26. CROATIA CUP - CROSSBOW FIELD IR900 + Match Play



# RESULTS BOOK



Veliko Trgovišće, Sports Centre "Veliko Trgovišće"  
25th to 27th June 2021



26. CROATIA CUP - CROSSBOW FIELD  
Sports Centre "Veliko Trgovišće", Veliko Trgovišće (CRO)  
25th to 27th of June 2021  
IAU Classic



Rank	Competitor	Country	Cat.	65m	R10	10	50m	R10	10	35m	R10	10	Σ	R10	10
<i>Men</i>															
1	OBOROVEČKI Martin	Croatia	M	283	7	7	288	13	6	297	16	11	868	36	24
2	PEREGLIN Domagoj	Croatia	M	275	5	5	293	14	9	294	21	4	862	40	18
3	AVDEEV Iakov	Russia	M	275	10	2	290	18	3	292	16	6	857	44	11
4	TERTYCHNYI Andrei	Russia	M	279	11	2	286	12	4	286	7	8	851	30	14
5	NEDĚLNÍK Jan	Czechia	M	274	5	6	284	9	5	289	12	7	847	26	18
6	SHABURIN Semen	Russia	C	274	10	3	277	10	1	293	15	8	844	35	12
7	SIMASHEV Fedor	Russia	M	270	10	2	285	12	5	283	7	8	838	29	15
8	SERGEEV Ilija	Russia	J	273	4	4	270	6	4	293	19	5	836	29	13
9	ŽUPANIĆ Fran	Croatia	C	271	4	4	281	10	6	282	12	4	834	26	14
10	KAJFEŠ Marijan	Croatia	M	266	6	4	276	7	4	287	13	5	829	26	13
11	TIJAN Željko	Croatia	SM	262	3	4	270	9	4	290	13	8	822	25	16
12	BLAGEC Petar	Croatia	C	255	5	1	270	10	5	287	11	7	812	26	13
13	STRIZHKO Aleksei	Russia	J	260	1	3	271	5	4	280	11	4	811	17	11
14	VOROBEOV Aleksandr	Russia	C	261	2	4	263	5	2	278	3	6	802	10	12
15	NEDĚLNÍK Josef	Czechia	SM	241	5	3	274	10	3	286	9	9	801	24	15
16	VYSKOČIL Denis	Czechia	C	253	6	4	270	8	2	276	10	3	799	24	9
17	HAC Pavao	VELIKO TRGOVIŠĆE, Veliko Trgovišće	C	241	4	2	275	10	1	283	10	5	799	24	8
18	MÁTRAI István	Hungary	SM	247	2	3	268	8	4	275	9	8	790	19	15
19	ROMANENKO Pavel	Russia	J	244	5	2	272	5	3	269	8	2	785	18	7
20	ŠTEHEC SUŠAC Fran	Croatia	C	241	3	0	262	5	3	269	4	5	772	12	8
21	TOMIĆ Marko	Croatia	C	239	2	1	260	3	2	273	3	12	772	8	15
22	POPOV Andrei	Russia	C	222	1	1	265	9	2	271	6	6	758	16	9
23	ANDRĚS Lukáš	Czechia	J	227	4	2	267	3	5	248	5	2	742	12	9
24	VUK Patrick	DUBRAVA 1094, Dubrava	C	0	0	0	0	0	0	0	0	0	0	0	0
25	DOMGJONI Leonard	DUBRAVA 1094, Dubrava	C	0	0	0	0	0	0	0	0	0	0	0	0
<i>Women</i>															
1	PEREGLIN Valentina	Croatia	W	274	3	6	290	16	5	292	18	4	856	37	15
2	KOMAR Sanja	Croatia	W	278	8	7	280	8	4	287	7	12	845	23	23
3	OBOROVEČKI Mihaela	Croatia	W	273	10	4	283	11	5	279	6	7	835	27	16
4	BARTOLOVIĆ Karla	Croatia	J	265	5	4	282	8	7	283	8	9	830	21	20
5	POPOVIĆ GECAN Iva	Croatia	J	263	6	1	281	7	5	284	7	8	828	20	14
6	PETAK Petra	Croatia	C	260	5	1	283	9	5	284	13	4	827	27	10
7	KLIMOVA Olga	Russia	W	258	6	2	278	5	5	284	8	7	820	19	14
8	MANTCUROVA Linda	Russia	W	250	2	3	280	13	3	285	12	7	815	27	13
9	PENEZIĆ Ema	Croatia	C	265	6	4	280	12	3	270	3	4	815	21	11
10	HYNKOVA Karolína	Czechia	W	260	6	2	277	8	2	277	9	3	814	23	7
11	SAFOSHKINA Irina	Russia	J	265	7	3	263	5	1	283	6	8	811	18	12
12	GOLOVCHENKO Aleksandra	Russia	J	247	3	0	265	7	2	279	5	6	791	15	8
13	IVANENKO Inna	Russia	C	236	6	1	274	9	0	279	11	2	789	26	5
14	ČUK Stela	Croatia	C	242	1	1	274	11	0	267	4	3	783	4	3
15	DENISOVA Sofiya	Russia	J	243	3	4	259	4	1	274	3	7	776	10	12
16	KLIMOVA Anastasiia	Russia	J	254	4	1	270	6	4	250	2	3	774	12	3
17	ANTOLIĆ Dorotea	PREDIONICA, Klanjec	J	243	4	0	257	4	1	260	4	2	760	12	2
18	HOTI Afrdita	STRIJELAC, Krušljevo Selo	C	230	3	0	246	1	3	243	1	3	719	5	3





**26. CROATIA CUP - CROSSBOW FIELD**  
**Sports Centre "Veliko Trgovišće", Veliko Trgovišće (CRO)**  
**25th to 27th of June 2021**  
**IAU Classic**



Rank	Competitor	Country	Cat.	65m	R10	10	50m	R10	10	35m	R10	10	Σ	R10	10
<i>Men</i>															
1	OBOROVEČKI Martin	Croatia	M	283	7	7	288	13	6	297	16	11	868	36	24
2	PEREGLIN Domagoj	Croatia	M	275	5	5	293	14	9	294	21	4	862	40	18
3	AVDEEV Iakov	Russia	M	275	10	2	290	18	3	292	16	6	857	44	11
4	TERTYCHNYI Andrei	Russia	M	279	11	2	286	12	4	286	7	8	851	30	14
5	NEDĚLNÍK Jan	Czechia	M	274	5	6	284	9	5	289	12	7	847	26	18
6	SIMASHEV Fedor	Russia	M	270	10	2	285	12	5	283	7	8	838	29	15
7	KAJFEŠ Marijan	Croatia	M	266	6	4	276	7	4	287	13	5	829	26	13
<i>Women</i>															
1	PEREGLIN Valentina	Croatia	W	274	3	6	290	16	5	292	18	4	856	37	15
2	KOMAR Sanja	Croatia	W	278	8	7	280	8	4	287	7	12	845	23	23
3	OBOROVEČKI Mihaela	Croatia	W	273	10	4	283	11	5	279	6	7	835	27	16
4	KLIMOVA Olga	Russia	W	258	6	2	278	5	5	284	8	7	820	19	14
5	MANTCUROVA Linda	Russia	W	250	2	3	280	13	3	285	12	7	815	27	13
6	HYNKOVA Karolina	Czechia	W	260	6	2	277	8	2	277	9	3	814	23	7
<i>Juniors</i>															
1	SERGEEV Ilija	Russia	J	273	4	4	270	6	4	293	19	5	836	29	13
2	BARTOLOVIĆ Karla	Croatia	J	265	5	4	282	8	7	283	8	9	830	21	20
3	POPOVIĆ GECAN Iva	Croatia	J	263	6	1	281	7	5	284	7	8	828	20	14
4	SAFOSHKINA Irina	Russia	J	265	7	3	263	5	1	283	6	8	811	18	12
5	STRIZHKO Aleksei	Russia	J	260	1	3	271	5	4	280	11	4	811	17	11
6	GOLOVCHENKO Aleksandra	Russia	J	247	3	0	265	7	2	279	5	6	791	15	8
7	ROMANENKO Pavel	Russia	J	244	5	2	272	5	3	269	8	2	785	18	7
8	DENISOVA Sofiya	Russia	J	243	3	4	259	4	1	274	3	7	776	10	12
9	KLIMOVA Anastasia	Russia	J	254	4	1	270	6	4	250	2	3	774	12	8
10	ANTOLIĆ Dorotea	PREDIONICA, Klanjec	J	243	4	0	257	4	1	260	4	2	760	12	3
11	ANDRÉS Lukáš	Czechia	J	227	4	2	267	3	5	248	5	2	742	12	9
<i>Cadets</i>															
1	SHABURIN Semen	Russia	C	274	10	3	277	10	1	293	15	8	844	35	12
2	ŽUPANIĆ Fran	Croatia	C	271	4	4	281	10	6	282	12	4	834	26	14
3	PETAK Petra	Croatia	C	260	5	1	283	9	5	284	13	4	827	27	10
4	PENEZIĆ Ema	Croatia	C	265	6	4	280	12	3	270	3	4	815	21	11
5	BLAGEC Petar	Croatia	C	255	5	1	270	10	5	287	11	7	812	26	13
6	VOROBĚV Aleksandr	Russia	C	261	2	4	263	5	2	278	3	6	802	10	12
7	VYSKOČIL Denis	Czechia	C	253	6	4	270	8	2	276	10	3	799	24	9
8	HAC Pavao	VELIKO TRGOVIŠĆE, Veliko Trgovišće	C	241	4	2	275	10	1	283	10	5	799	24	8
9	IVANENKO Inna	Russia	C	236	6	1	274	9	0	279	11	2	789	26	3
10	ČUK Stela	Croatia	C	242	1	1	274	11	0	267	4	3	783	16	4
11	ŠTEHEC SUŠAC Fran	Croatia	C	241	3	0	262	5	3	269	4	5	772	12	8
12	TOMIĆ Marko	Croatia	C	239	2	1	260	3	2	273	3	12	772	8	15
13	POPOV Andrei	Russia	C	222	1	1	265	9	2	271	6	6	758	16	9
14	HOTI Afrdita	STRIJELAC, Krušljevo Selo	C	230	3	0	246	1	3	243	1	3	719	5	6
15	VUK Patrick	DUBRAVA 1094, Dubrava	C	0	0	0	0	0	0	0	0	0	0	0	0
16	DOMGJONI Leonard	DUBRAVA 1094, Dubrava	C	0	0	0	0	0	0	0	0	0	0	0	0
<i>Senior Men</i>															
1	TIJAN Željko	Croatia	SM	262	3	4	270	9	4	290	13	8	822		
2	NEDĚLNÍK Josef	Czechia	SM	241	5	3	274	10	3	286	9	9	801		
3	MÁTRAI István	Hungary	SM	247	2	3	268	8	4	275	9	8	790		





**26. CROATIA CUP - CROSSBOW FIELD**  
**Sports Centre "Veliko Trgovišće", Veliko Trgovišće (CRO)**  
**25th to 27th of June 2021**  
**10. VT Cup**



Rank	Competitor	Country	Cat.	65m	R10	10	50m	R10	10	35m	R10	10	Σ	R10	10
1	OBOROVEČKI Martin	Croatia	M	283	7	7	288	13	6	297	16	11	868	36	24
2	PEREGLIN Domagoj	Croatia	M	275	5	5	293	14	9	294	21	4	862	40	18
3	AVDEEV Iakov	Russia	M	275	10	2	290	18	3	292	16	6	857	44	11
4	PEREGLIN Valentina	Croatia	W	274	3	6	290	16	5	292	18	4	856	37	15
5	TERTYCHNYI Andrei	Russia	M	279	11	2	286	12	4	286	7	8	851	30	14
6	NEDĚLNÍK Jan	Czechia	M	274	5	6	284	9	5	289	12	7	847	26	18
7	KOMAR Sanja	Croatia	W	278	8	7	280	8	4	287	7	12	845	23	23
8	SHABURIN Semen	Russia	C	274	10	3	277	10	1	293	15	8	844	35	12
9	SIMASHEV Fedor	Russia	M	270	10	2	285	12	5	283	7	8	838	29	15
10	SERGEEV Ilija	Russia	J	273	4	4	270	6	4	293	19	5	836	29	13
11	OBOROVEČKI Mihaela	Croatia	W	273	10	4	283	11	5	279	6	7	835	27	16
12	ŽUPANIĆ Fran	Croatia	C	271	4	4	281	10	6	282	12	4	834	26	14
13	BARTOLOVIĆ Karla	Croatia	J	265	5	4	282	8	7	283	8	9	830	21	20
14	KAJFEŠ Marijan	Croatia	M	266	6	4	276	7	4	287	13	5	829	26	13
15	POPOVIĆ GECAN Iva	Croatia	J	263	6	1	281	7	5	284	7	8	828	20	14
16	PETAK Petra	Croatia	C	260	5	1	283	9	5	284	13	4	827	27	10
17	TIJAN Željko	Croatia	SM	262	3	4	270	9	4	290	13	8	822	25	16
18	KLIMOVA Olga	Russia	W	258	6	2	278	5	5	284	8	7	820	19	14
19	MANTCUROVA Linda	Russia	W	250	2	3	280	13	3	285	12	7	815	27	13
20	PENEZIĆ Ema	Croatia	C	265	6	4	280	12	3	270	3	4	815	21	11
21	HYNKOVÁ Karolína	Czechia	W	260	6	2	277	8	2	277	9	3	814	23	7
22	BLAGEC Petar	Croatia	C	255	5	1	270	10	5	287	11	7	812	26	13
23	SAFOSHKINA Irina	Russia	J	265	7	3	263	5	1	283	6	8	811	18	12
24	STRIZHKO Aleksei	Russia	J	260	1	3	271	5	4	280	11	4	811	17	11
25	VOROBEB Aleksandr	Russia	C	261	2	4	263	5	2	278	3	6	802	10	12
26	NEDĚLNÍK Josef	Czechia	SM	241	5	3	274	10	3	286	9	9	801	24	15
27	VYSKOČIL Denis	Czechia	C	253	6	4	270	8	2	276	10	3	799	24	9
28	HAC Pavao	VELIKO TRGOVIŠĆE, Veliko Trgovišće	C	241	4	2	275	10	1	283	10	5	799	24	8
29	GOLOVCHENKO Aleksandra	Russia	J	247	3	0	265	7	2	279	5	6	791	15	8
30	MÁTRAI István	Hungary	SM	247	2	3	268	8	4	275	9	8	790	19	15
31	IVANENKO Inna	Russia	C	236	6	1	274	9	0	279	11	2	789	26	3
32	ROMANENKO Pavel	Russia	J	244	5	2	272	5	3	269	8	2	785	18	7
33	ČUK Stela	Croatia	C	242	1	1	274	11	0	267	4	3	783	16	4
34	DENISOVA Sofiya	Russia	J	243	3	4	259	4	1	274	3	7	776	10	12
35	KLIMOVA Anastasiia	Russia	J	254	4	1	270	6	4	250	2	3	774	12	8
36	ŠTEHEC SUŠAC Fran	Croatia	C	241	3	0	262	5	3	269	4	5	772	12	8
37	TOMIĆ Marko	Croatia	C	239	2	1	260	3	2	273	3	12	772	8	15
38	ANTOLIĆ Dorotea	PREDIONICA, Klanjec	J	243	4	0	257	4	1	260	4	2	760	12	3
39	POPOV Andrei	Russia	C	222	1	1	265	9	2	271	6	6	758	16	6
40	ANDRÉS Lukáš	Czechia	J	227	4	2	267	3	5	248	5	2	742	12	9
41	HOTI Afrdita	STRIJELAC, Krušljevo Selo	C	230	3	0	246	1	3	243	1	3	719	6	6
42	VUK Patrick	DUBRAVA 1094, Dubrava	C	0	0	0	0	0	0	0	0	0	0	0	0
43	DOMGJONI Leonard	DUBRAVA 1094, Dubrava	C	0	0	0	0	0	0	0	0	0	0	0	0





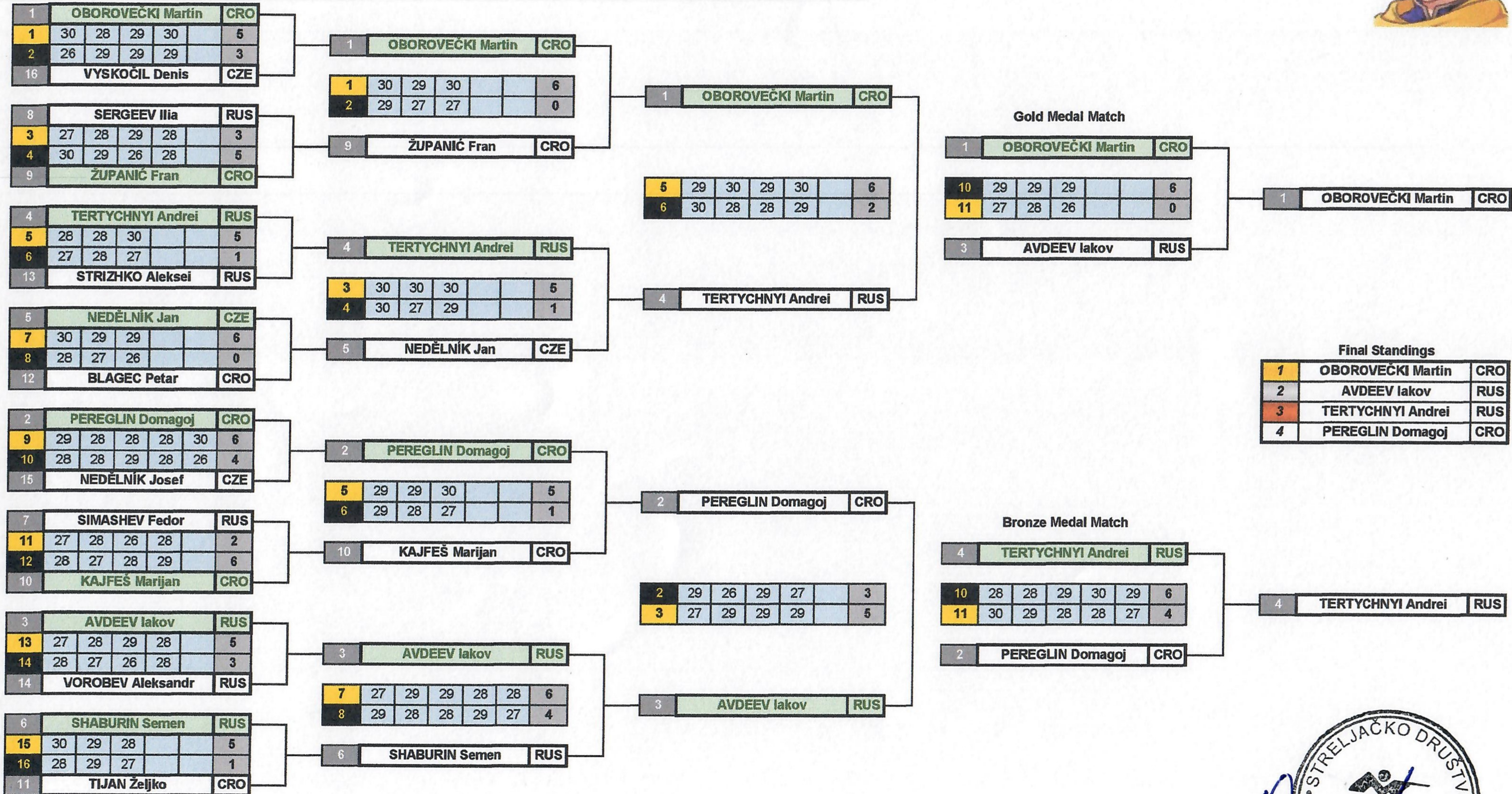
**26. CROATIA CUP - CROSSBOW FIELD**  
**Sports Centre "Veliko Trgovišće"**  
**25th to 27th of June 2021**  
**Teams**

Rank	Team	Competitor	Cat.	65m	50m	35m	IR900	Σ
1	Croatia 1	OBOROVEČKI Martin	M	283	288	297	868	2559
		PEREGLIN Domagoj	M	275	293	294	862	
		KAJFEŠ Marijan	M	266	276	287	829	
				824	857	878		
2	Russia 2	AVDEEV Iakov	M	275	290	292	857	2546
		TERTYCHNYI Andrei	M	279	286	286	851	
		SIMASHEV Fedor	M	270	285	283	838	
				824	861	861		
3	Croatia 2	PEREGLIN Valentina	W	274	290	292	856	2536
		KOMAR Sanja	W	278	280	287	845	
		OBOROVEČKI Mihaela	W	273	283	279	835	
				825	853	858		
4	Russia 1	SHABURIN Semen	C	274	277	293	844	2500
		SERGEEV Ilija	J	273	270	293	836	
		KLIMOVA Olga	W	258	278	284	820	
				805	825	870		
5	Czech	NEDĚLNÍK Jan	M	274	284	289	847	2460
		HYNKOVÁ Karolína	W	260	277	277	814	
		VYSKOČIL Denis	C	253	270	276	799	
				787	831	842		
6	SD "Veliko Trgovišće"	BARTOLOVIĆ Karla	J	265	282	283	830	2440
		PETAK Petra	C	260	283	284	827	
		ČUK Stela	C	242	274	267	783	
				767	839	834		
7	SK "Ivanić"	POPOVIĆ GECAN Iva	J	263	281	284	828	2412
		BLAGEC Petar	C	255	270	287	812	
		TOMIĆ Marko	C	239	260	273	772	
				757	811	844		
8	SK "Predionica" Klanjec	ŽUPANIĆ Fran	C	271	281	282	834	2409
		PENEZIĆ Ema	C	265	280	270	815	
		ANTOLIĆ Dorotea	J	243	257	260	760	
				779	818	812		
9	Russia 5	SAFOSHKINA Irina	J	265	263	283	811	2404
		VOROBEOV Aleksandr	C	261	263	278	802	
		GOLOVCHENKO Aleksandra	J	247	265	279	791	
				773	791	840		
10	Russia 3	MANTCUROVA Linda	W	250	280	285	815	2378
		IVANENKO Inna	C	236	274	279	789	
		KLIMOVA Anastasiia	J	254	270	250	774	
				740	824	814		
11	Russia 4	STRIZHKO Aleksei	J	260	271	280	811	2372
		ROMANENKO Pavel	J	244	272	269	785	
		DENISOVA Sofiya	J	243	259	274	776	
				747	802	823		
12	Mix team	TIJAN Željko	SM	262	270	290	822	2372
		MÁTRAI István	SM	247	268	275	790	
		HOTI Afrdita	C	230	246	243	719	
				739	784	808		



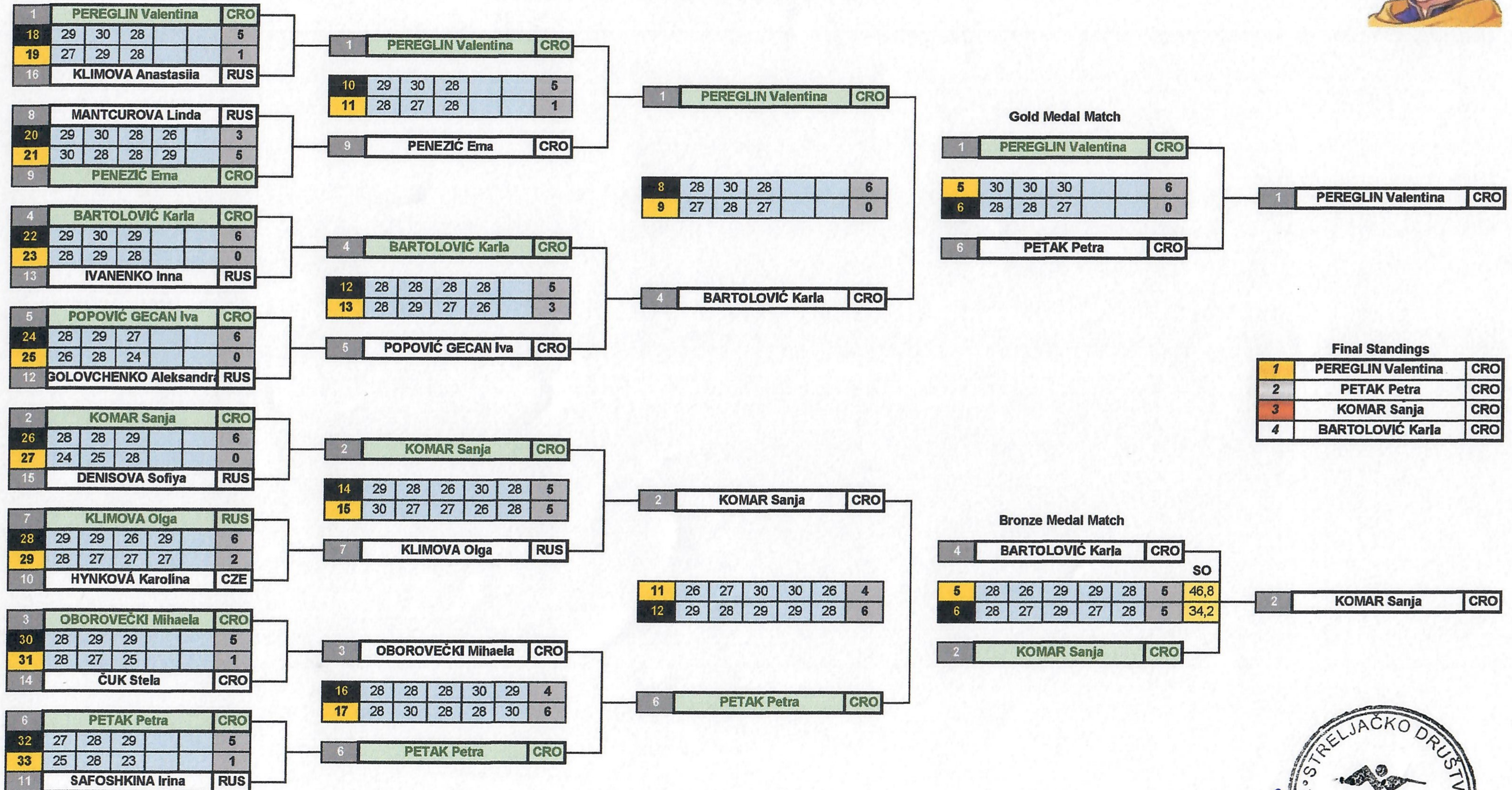


**26. CROATIA CUP - CROSSBOW FIELD**  
**Sports Centre "Veliko Trgovišće", Veliko Trgovišće (CRO)**  
**25th to 27th of June 2021**  
**Match Play - Men**





**26. CROATIA CUP - CROSSBOW FIELD**  
**Sports Centre "Veliko Trgovišće", Veliko Trgovišće (CRO)**  
**25th to 27th of June 2021**  
**Match Play - Women**





**26. CROATIA CUP - CROSSBOW FIELD**  
**Sports Centre "Veliko Trgovišće", Veliko Trgovišće (CRO)**  
**25th to 27th of June 2021**  
**Match Play - Final Standings**



Rank	Competitor	Country	Cat.	IAU Classic			R16	QF	SF	MM	
				Σ	R10	10					
<i>Men</i>											
1	OBOROVEČKI Martin	Croatia	M	868	36	24	→ 0	5:3	6:0	6:2	6:0
2	AVDEEV Iakov	Russia	M	857	44	11	↑ +1	5:3	6:4	5:3	0:6
3	TERTYCHNYI Andrei	Russia	M	851	30	14	↑ +1	5:1	5:1	2:6	6:4
4	PEREGLIN Domagoj	Croatia	M	862	40	18	↓ -2	6:4	5:1	3:5	4:6
5	NEĐELNÍK Jan	Czechia	M	847	26	18	→ 0	6:0	1:5		
6	SHABURIN Semen	Russia	M	844	35	12	→ 0	5:1	4:6		
7	ŽUPANIĆ Fran	Croatia	M	834	26	14	↑ +2	5:3	0:6		
8	KAJFEŠ Marijan	Croatia	M	829	26	13	↑ +2	6:2	1:5		
9	SIMASHEV Fedor	Russia	M	838	29	15	↓ -2	2:6			
10	SERGEEV Ilija	Russia	M	836	29	13	↓ -2	3:5			
11	TIJAN Željko	Croatia	M	822	25	16	→ 0	1:5			
12	BLAGEC Petar	Croatia	M	812	26	13	→ 0	0:6			
13	STRIZHKO Aleksei	Russia	M	811	17	11	→ 0	1:5			
14	VOROBĚV Aleksandr	Russia	M	802	10	12	→ 0	3:5			
15	NEĐELNÍK Josef	Czechia	M	801	24	15	→ 0	4:6			
16	VYSKOČIL Denis	Czechia	M	799	24	9	→ 0	3:5			
17	HAC Pavao	VELIKO TRGOVIŠĆE, Veliko Trgovišće	M	799	24	8		DNQ			
18	MÁTRAI István	Hungary	M	790	19	15		DNQ			
19	ROMANENKO Pavel	Russia	M	785	18	7		DNQ			
20	ŠTEHEC SUŠAC Fran	Croatia	M	772	12	8		DNQ			
21	TOMIĆ Marko	Croatia	M	772	8	15		DNQ			
22	POPOV Andrei	Russia	M	758	16	9		DNQ			
23	ANDRÉS Lukáš	Czechia	M	742	12	9		DNQ			
24	VUK Patrick	DUBRAVA 1094, Dubrava	M	0	0	0		DNQ			
25	DOMGJONI Leonard	DUBRAVA 1094, Dubrava	M	0	0	0		DNQ			
<i>Women</i>											
1	PEREGLIN Valentina	Croatia	W	856	37	15	→ 0	5:1	5:1	6:0	6:0
2	PETAK Petra	Croatia	W	827	27	10	↑ +4	5:1	6:4	6:4	0:6
3	KOMAR Sanja	Croatia	W	845	23	23	↓ -1	6:0	5:5	4:6	5:5
4	BARTOLOVIĆ Karla	Croatia	W	830	21	20	→ 0	6:0	5:3	0:6	5:5
5	OBOROVEČKI Mihaela	Croatia	W	835	27	16	↓ -2	5:1	4:6		
6	POPOVIĆ GECAN Iva	Croatia	W	828	20	14	↓ -1	6:0	3:5		
7	KLIMOVA Olga	Russia	W	820	19	14	→ 0	6:2	5:5		
8	PENEZIĆ Ema	Croatia	W	815	21	11	↑ +1	5:3	1:5		
9	MANTCUROVA Linda	Russia	W	815	27	13	↓ -1	3:5			
10	HYNKOVA Karolína	Czechia	W	814	23	7	→ 0	2:6			
11	SAFOSHKINA Irina	Russia	W	811	18	12	→ 0	1:5			
12	GOLOVCHENKO Aleksandra	Russia	W	791	15	8	→ 0	0:6			
13	IVANENKO Inna	Russia	W	789	26	3	→ 0	0:6			
14	ČUK Stela	Croatia	W	783	16	4	→ 0	1:5			
15	DENISOVA Sofiya	Russia	W	776	10	12	→ 0	0:6			
16	KLIMOVA Anastasiia	Russia	W	774	12	8	→ 0	1:5			
17	ANTOLIĆ Dorotea	PREDIONICA, Klanjec	W	760	12	3		DNQ			
18	HOTI Afrdita	STRIJELAC, Krušljevo Selo	W	719	5	6		DNQ			





**26. CROATIA CUP - CROSSBOW FIELD**  
**Sports Centre "Veliko Trgovišće", Veliko Trgovišće (CRO)**  
**25th to 27th of June 2021**

**Competition Officials**

Director of Competition	Damir Oborovečki	CRO
Director of Shooting	Pero Stojnić	CRO
Field Judges	Brigita Zdenjak Denis Strukov Siniša Bartolović	CRO RUS CRO
IT Team	Branko Peregrin Dragutin Vrbek	CRO CRO

